

PermaDOCK PIT DETAIL SHEET

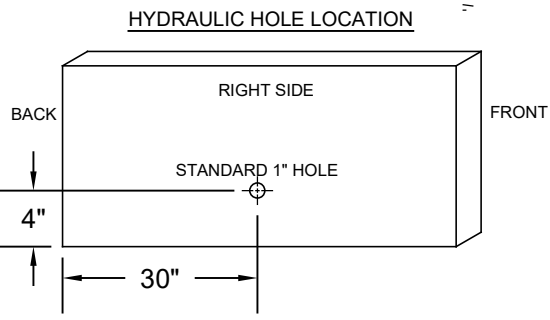
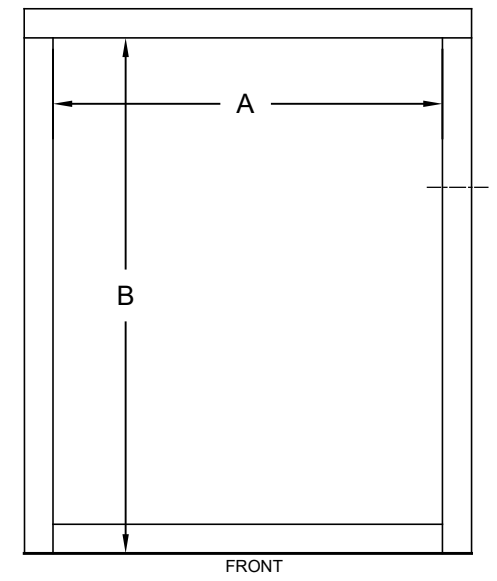
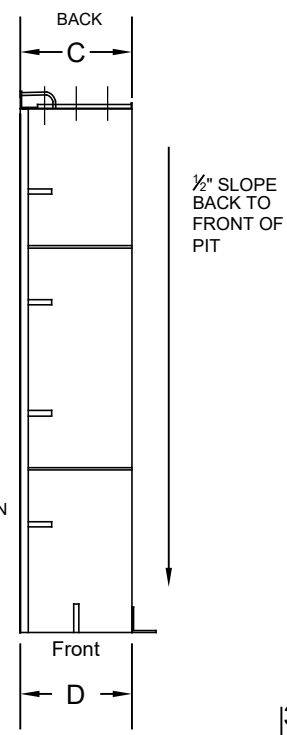
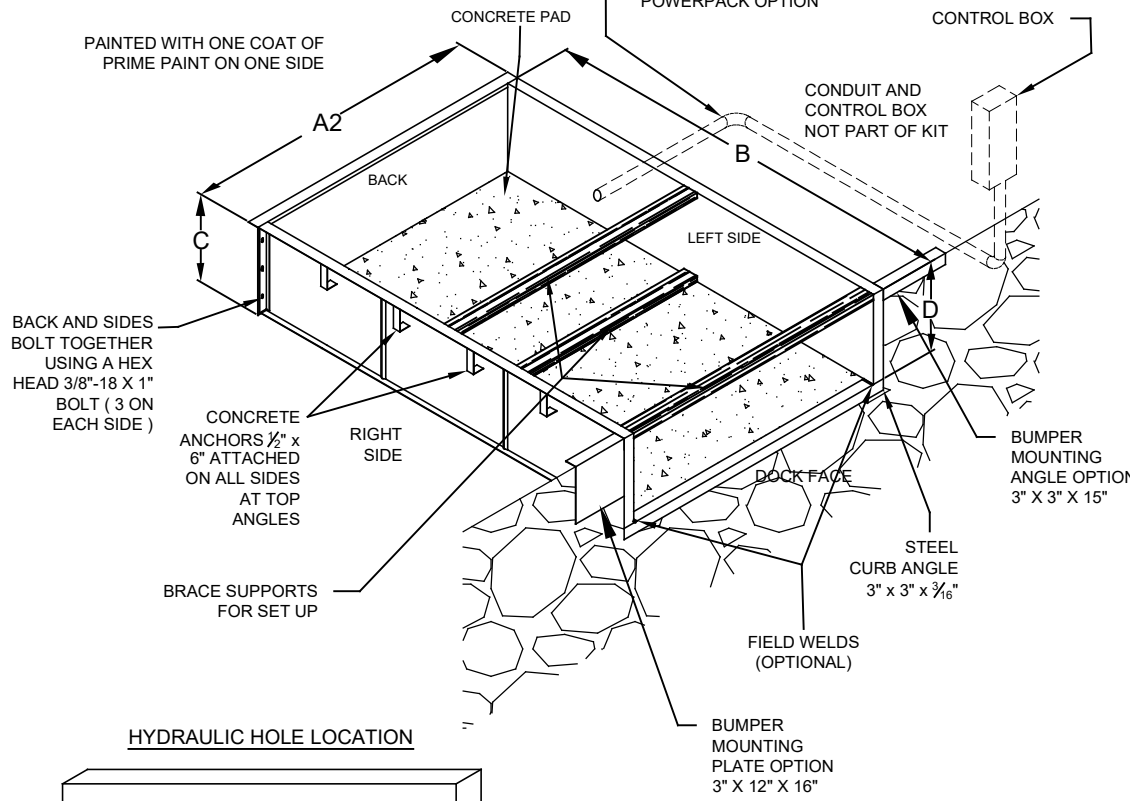
PERMA PITS ARE MADE OF 12 GA. SHEET STEEL WITH $\frac{3}{16}$ " FRONT AND BACK ANGLES

1" CONDUIT FOR HYDRAULIC OR ELECTRICAL LINES

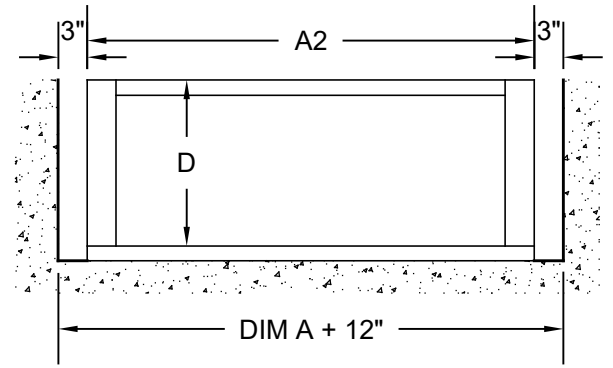
ADDITIONAL 2.5" CONDUIT NEEDED FOR REMOTE POWERPACK OPTION

SIDE VIEW

TOP VIEW



FRONT VIEW



HEAVY DUTY OPTIONS

3" X 3" X $\frac{1}{2}$ " FRONT: BACK: ALL:
 4" X 4" X $\frac{1}{2}$ " FRONT: BACK: ALL:

SPECIAL INFORMATION

MECHANICAL:		HYDRAULIC:		QUANTITY:		
MODEL #:	DIMENSION A:	DIMENSION A2:	DIMENSION B:	DIMENSION C:	DIMENSION D:	
66-20:	66-24:	74"	80"	63"	19.5" / 23.5" 20" / 24"	
68-20:	68-24:	74"	80"	87"	19.5" / 23.5" 20" / 24"	
610-20:	610-24:	74"	80"	111"	19.5" / 23.5" 20" / 24"	
76-20:	76-24:	85"	91"	63"	19.5" / 23.5" 20" / 24"	
78-20:	78-24:	85"	91"	87"	19.5" / 23.5" 20" / 24"	
710-20:	710-24:	85"	91"	111"	19.5" / 23.5" 20" / 24"	



JOB: _____

DEALER: _____ DATE: _____

CONTACT: _____ QUOTE #: _____

APPROVED BY SIGNATURE: _____